

RURAL HOUSE

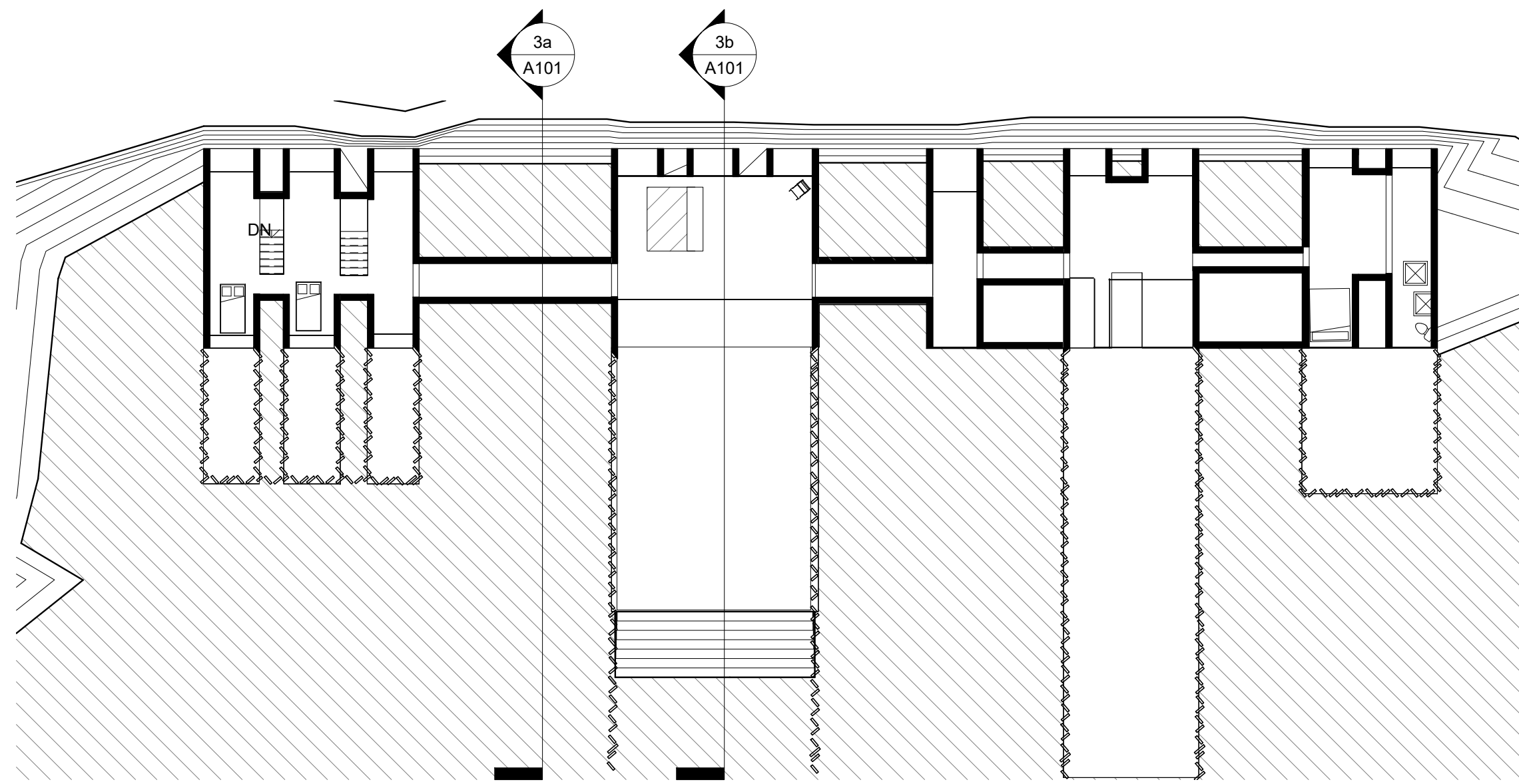
CASE STUDY PROJECT

Madison Hamer
 RCR Arquitectes
 La Garrotxa, Spain
 12/6/2019

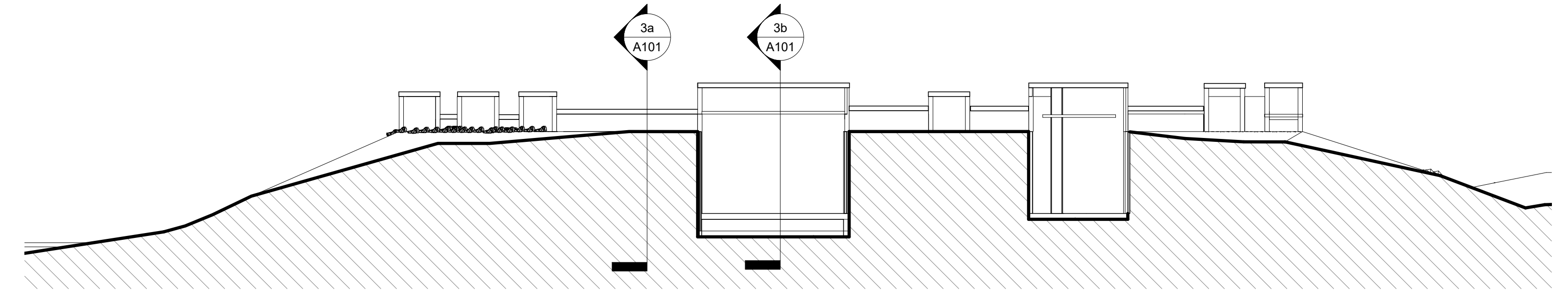


SCHEDULE FOR ROOMS

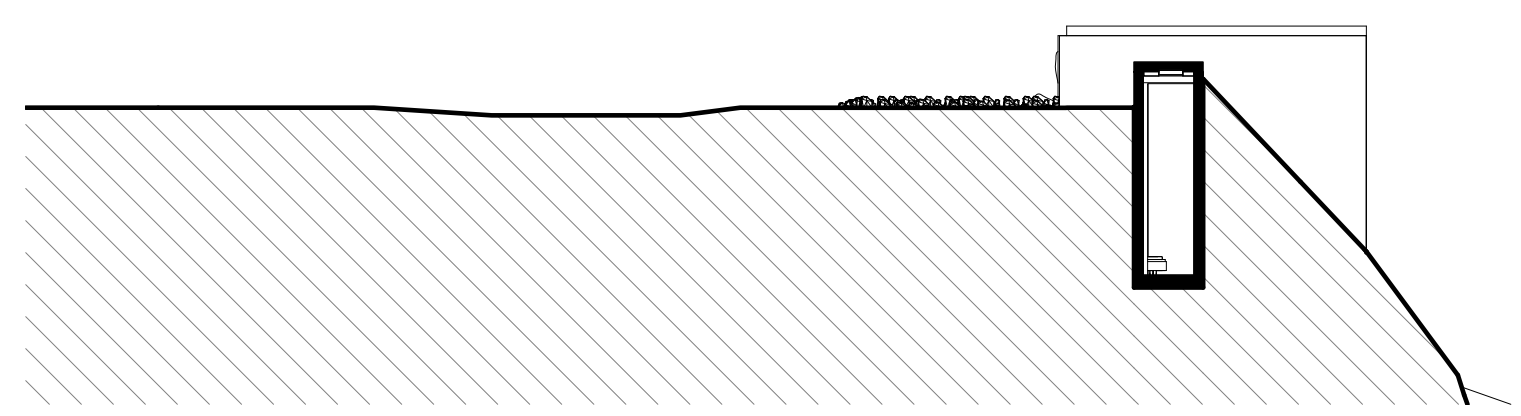
Level	Name	Area
Level 1	BedRoom	440 SF
Level 1	Bedroom	175 SF
Level 1	Halway	24 SF
Level 1	Halway	33 SF
Level 1	Halway	62 SF
Level 1	Halway	102 SF
Level 1	Kitchen	210 SF
Level 1	Living Room	380 SF
Complete Total: 8		1426 SF



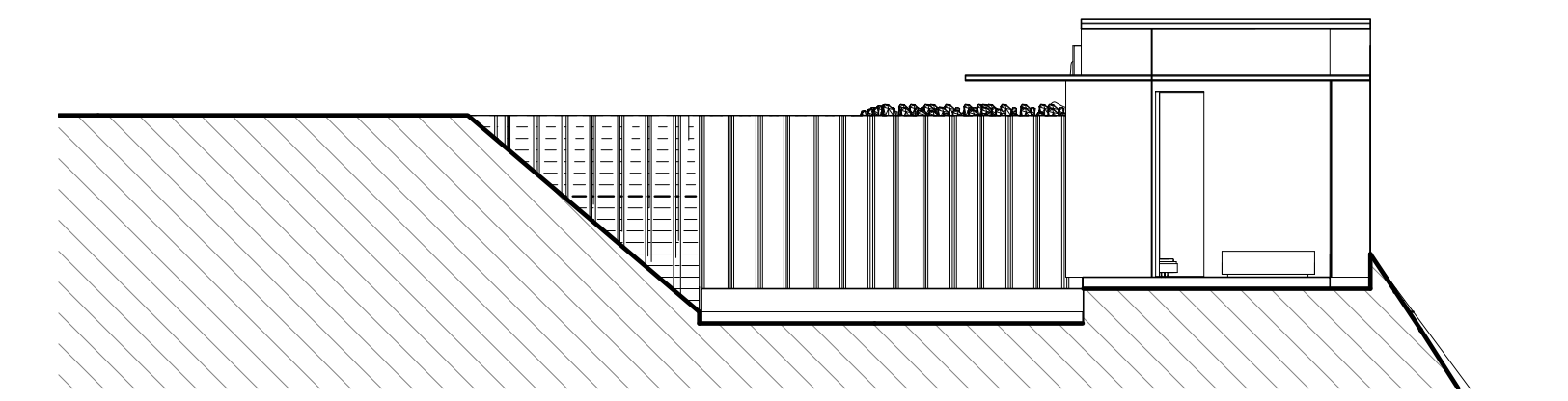
① LEVEL 1 FLOOR PLAN
 1/16" = 1'-0"



② SOUTH ELEVATION
 1/16" = 1'-0"



③a HALLWAY SECTION
 1/16" = 1'-0"



③b POOL SECTION
 1/16" = 1'-0"

